

# Time-domain HIFU field measurements by ruggedized hydrophone and reciprocity techniques

Robert Muratore, Ph.D., Andrew Kalisz, M.S., & Sarayu Ramachandran, M.S.

Frederic L. Lizzi Center for Biomedical Engineering  
Riverside Research Institute, New York NY USA



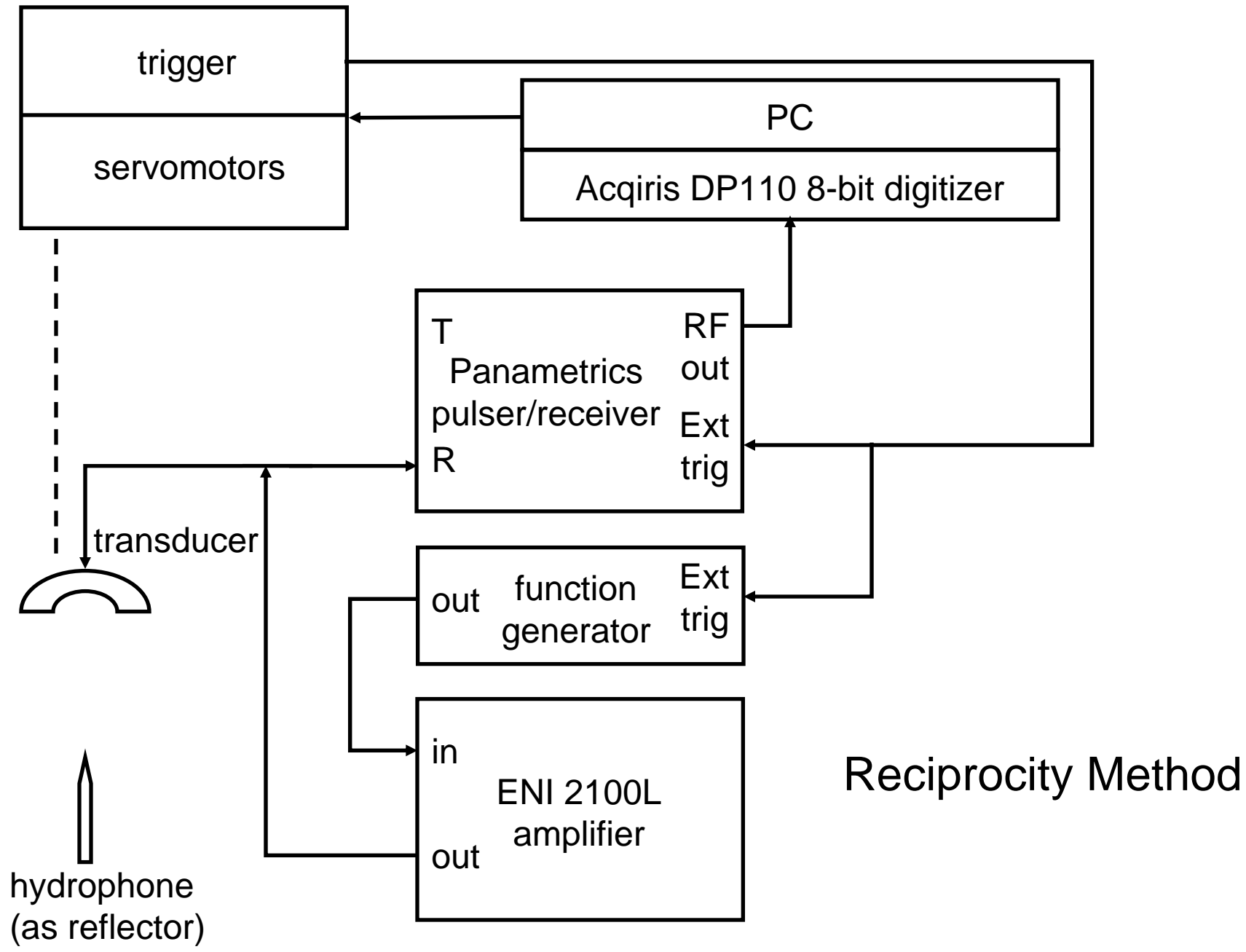
UIA/NPL 2007

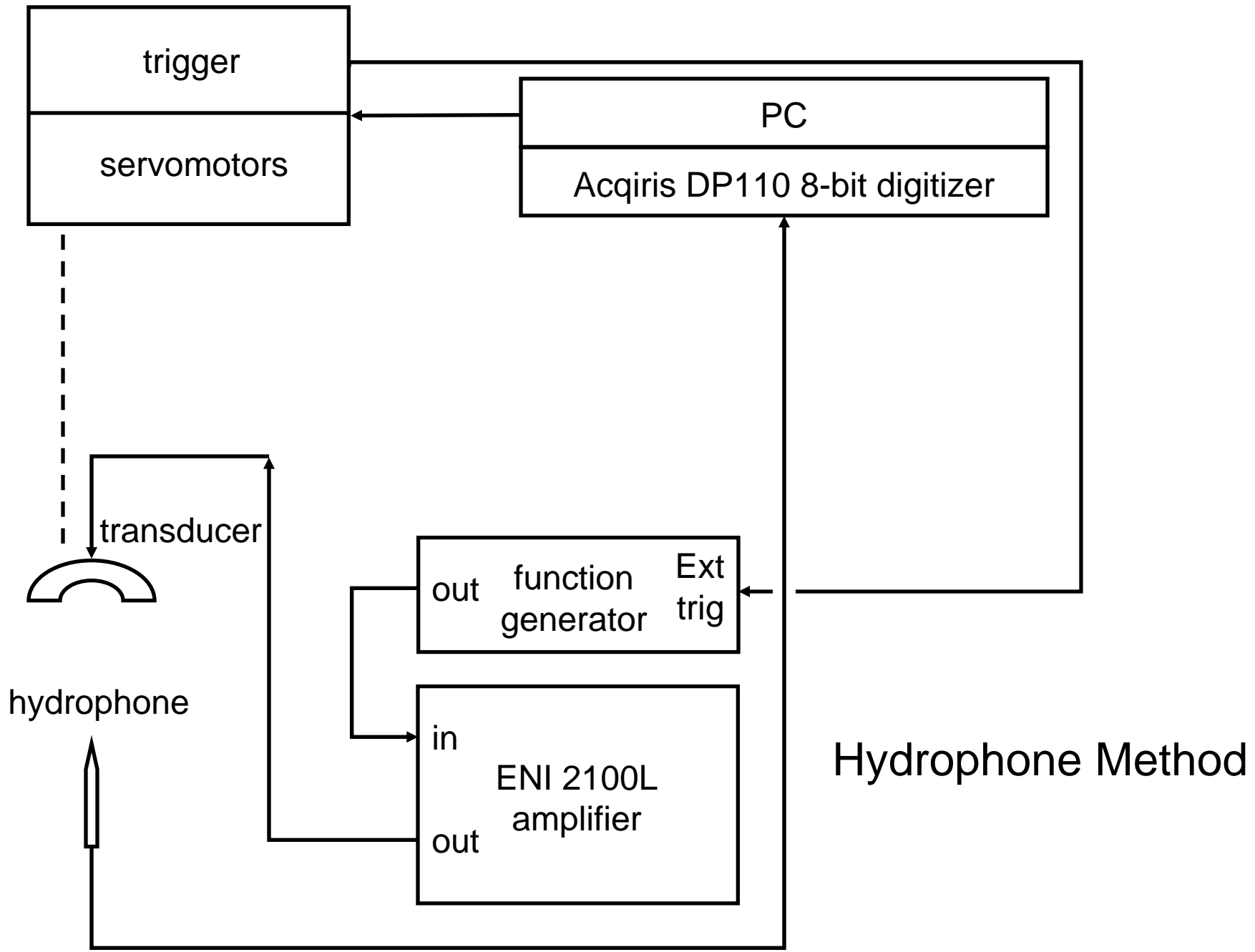
**INTRODUCTION** - The growing use of high intensity focused ultrasound (HIFU) for therapy has led to a need to characterize HIFU-transducer fields. Acoustic fields do not scale linearly with intensity; nonlinearities appear at therapeutic intensities and contribute to the therapeutic effect. Therefore, measuring the fields at the intensities of the intended applications is critically important. Common thin-film hydrophones can be damaged at high intensities. Recently, Onda Corp. (Sunnyvale CA USA) has introduced model HNA-0400 ruggedized needle hydrophone. Evaluations of this hydrophone have been limited to manufacturer whitepapers. Here we compare the time-domain field characterization ability of the HNA-0400 hydrophone to the reciprocity technique (based on the Helmholtz-Rayleigh acoustic reciprocity theorem).

**METHODS** - The acoustic field was produced by a Sonic Concepts (Bothell WA USA) annular-array, 5-element, spherical-cap, PZT therapy transducer having a 35-mm focal length, 33-mm aperture, and 14-mm diameter central hole. A single element was excited with a 2-cycle, 5.25-MHz excitation pulse to produce a peak acoustic power of approximately 100 W. The therapy transducer was attached to a three-axis, linear-motion, servomotor controller, and the transducer was immersed in a 3-l Pyrex beaker filled with degassed water. The HNA-0400 hydrophone was affixed vertically at the bottom of the beaker. In the reciprocity technique, the hydrophone tip served as a passive reflector. The therapy transducer was connected to the receive channel of a pulser/receiver. The pulser/receiver output was acquired with an 8-bit digitizer with sampling frequencies of 250 MS/s to 1 GS/s. In the hydrophone technique, the hydrophone was connected directly to the digitizer. Scan planes were formed from sets of uniformly spaced, parallel scan lines; scan volumes were formed from sets of uniformly spaced, parallel scan planes. A characteristic (such as peak negative pressure) of each scan line was selected, reducing the volume to a single transverse or axial plane intersecting the acoustic focal region.

**RESULTS** - The hydrophone method provides considerably more spatial detail than the reciprocity method, revealing the beam's transverse side lobes, which are not visible in the reciprocity images. In addition, it exhibits a signal-to-noise ratio of 39 dB under the conditions studied, compared to the reciprocity signal-to-noise ratio of 36 dB. We also note that field strength can be estimated directly with the hydrophone technique, whereas the reciprocity technique, without supplemental measurements, provides only relative values.

**ACKNOWLEDGEMENTS** - The authors thank Dr. Ernest J. Feleppa and Dr. Jonathan Mamou for their helpful suggestions, and gratefully acknowledge the support of the Riverside Research Institute Fund for Biomedical Engineering Research.





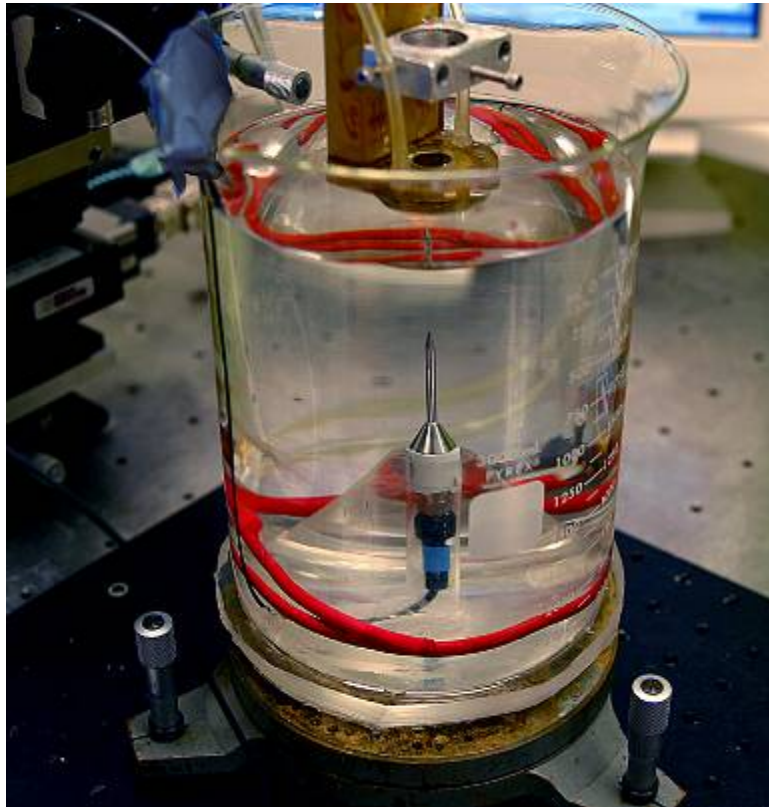
# Onda Corp. HNA-0400 Hydrophone

manufacturer specs:

400  $\mu\text{m}$  tip

1 - 10 MHz (full width half power)

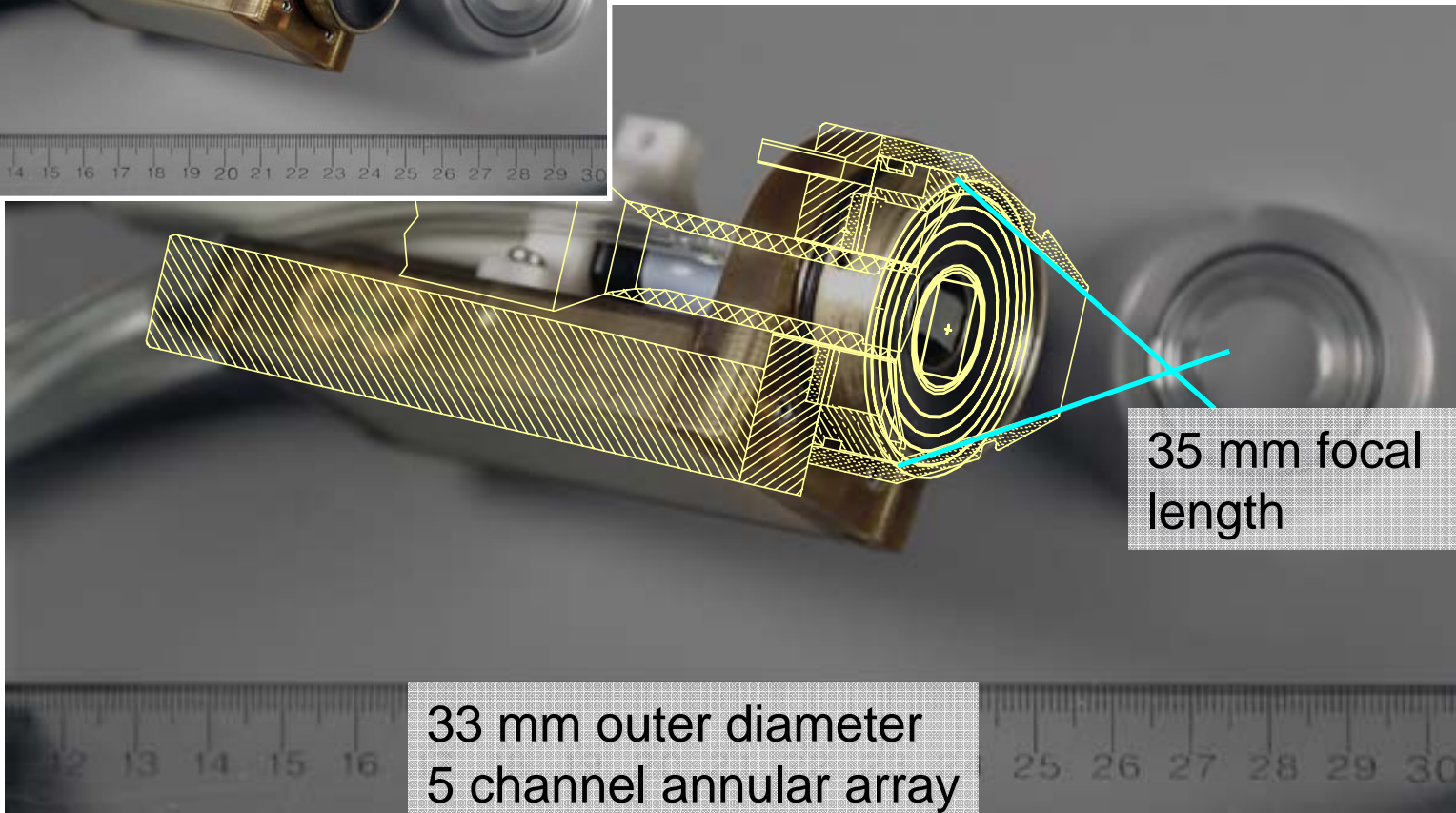
-265  $\text{dB}_{1V} / \mu\text{Pa}$



36 mm

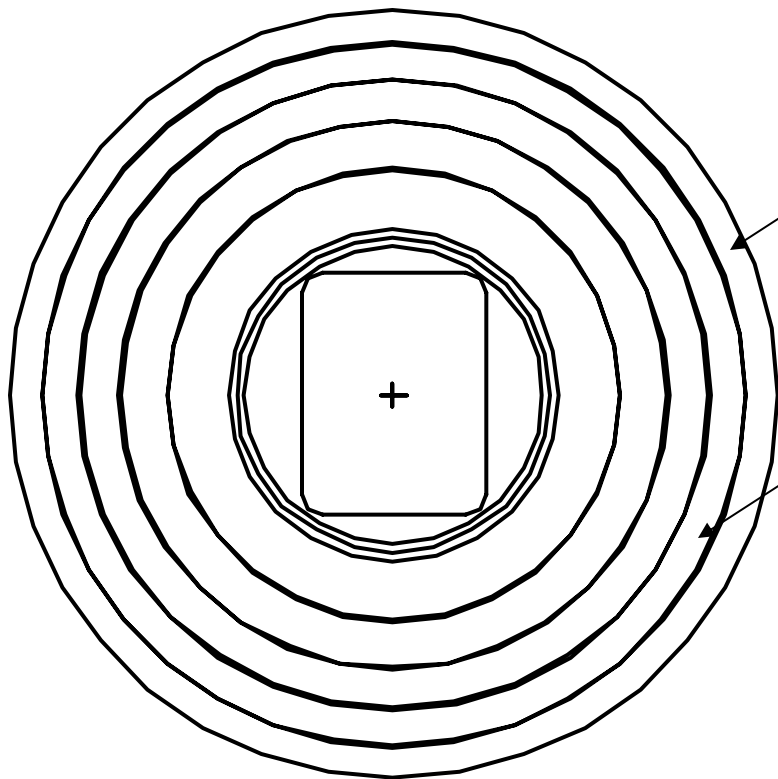
SMA connector

# HIFU Transducer



Sonic Concepts, Bothell WA USA

## HIFU transducer geometry



annulus 5

outer diameter = 32.9 mm

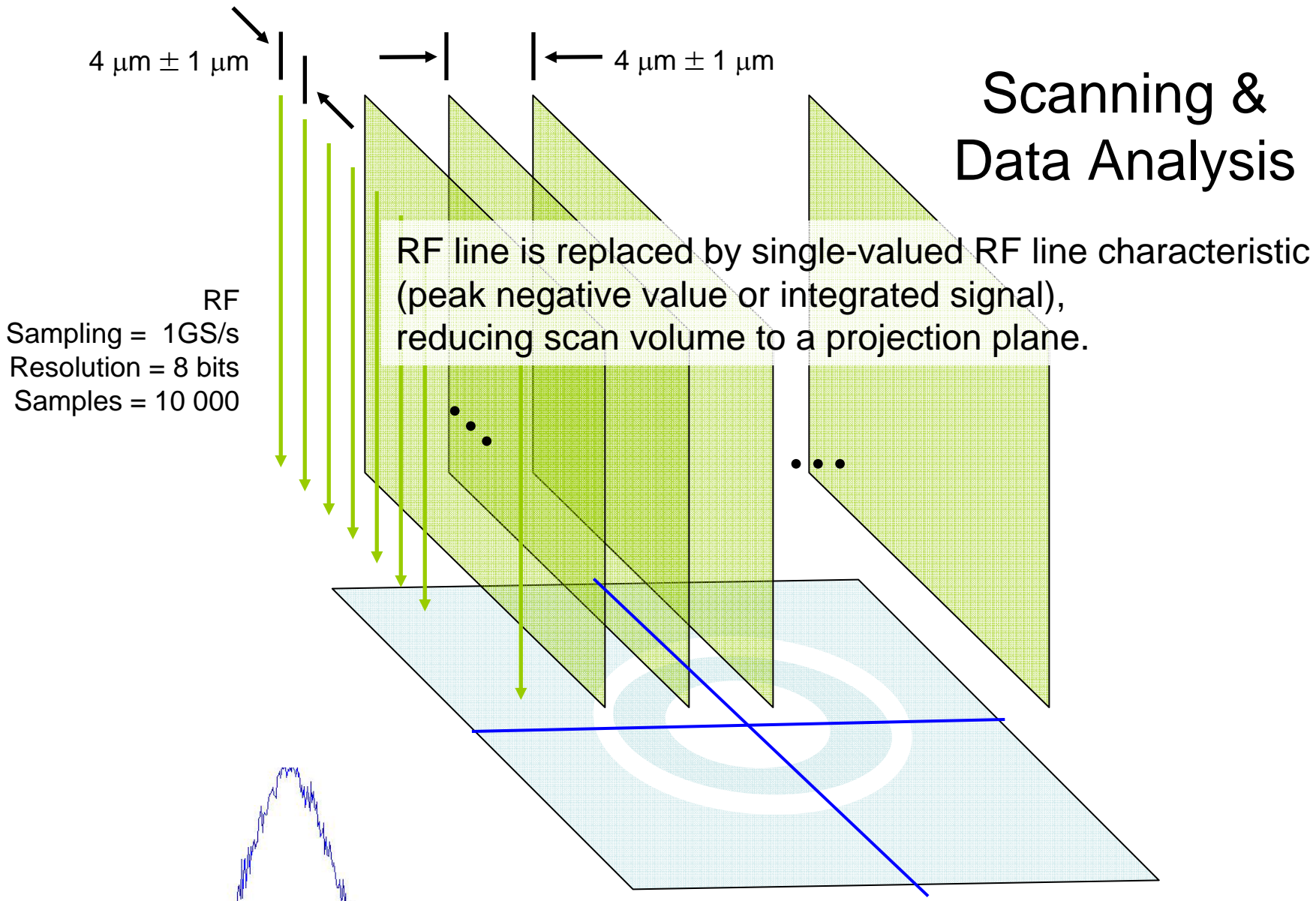
inner diameter = 30.3 mm

annulus 4

outer diameter = 30.1 mm

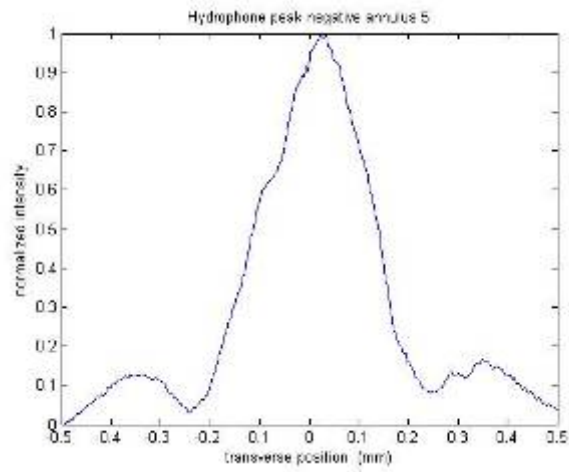
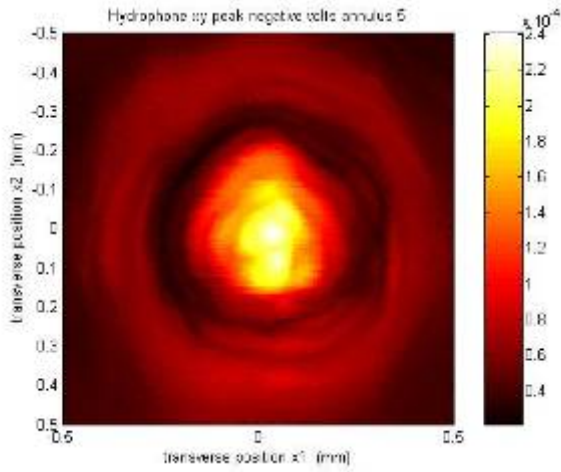
inner diameter = 27.1 mm

# Scanning & Data Analysis



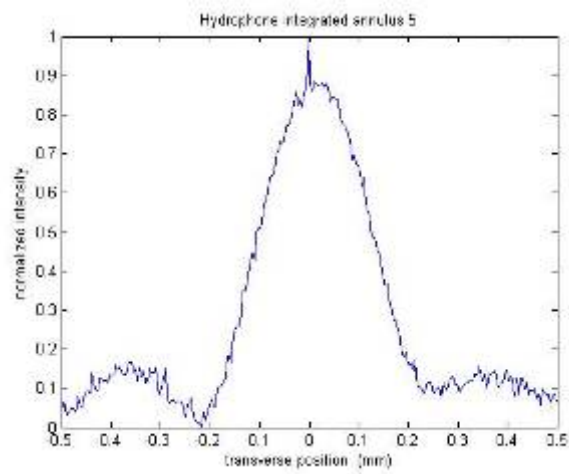
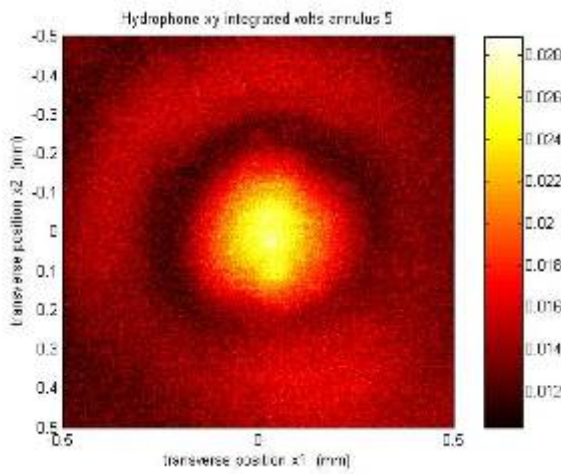
Projection plane is sliced (12x at 15° intervals) and slices are averaged.



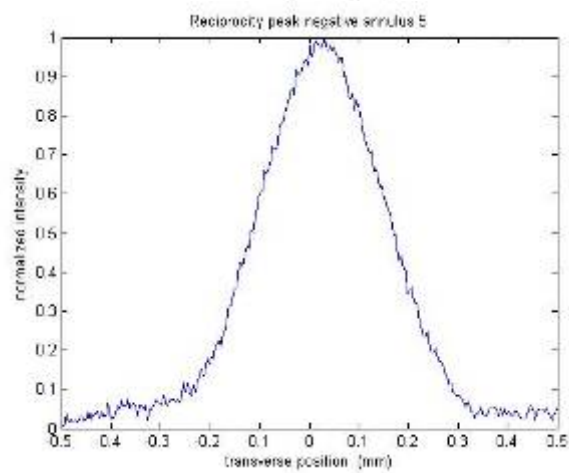
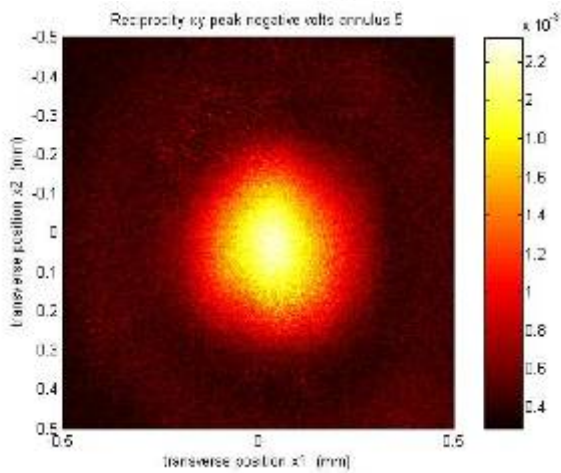


Annulus 5

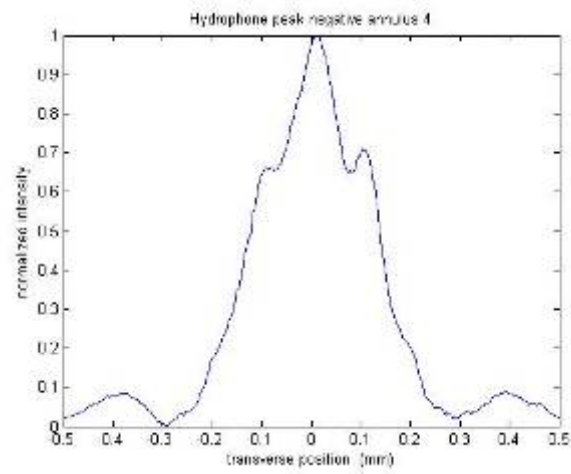
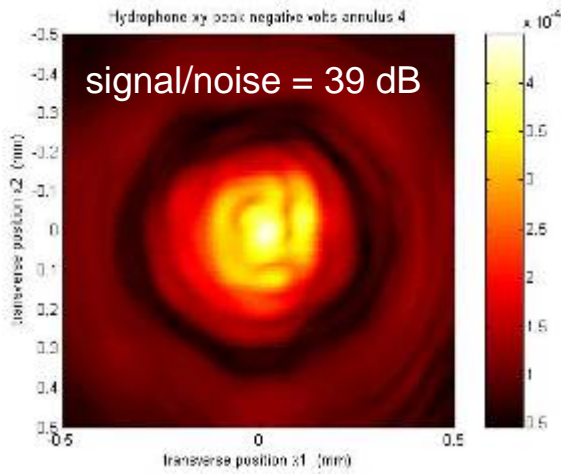
Hydrophone  
peak negative



Hydrophone  
integrated

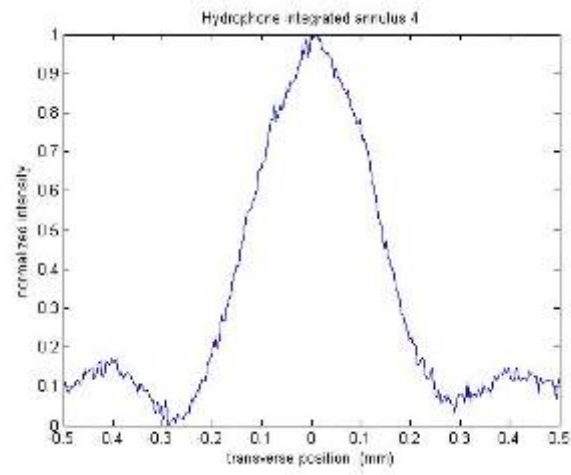
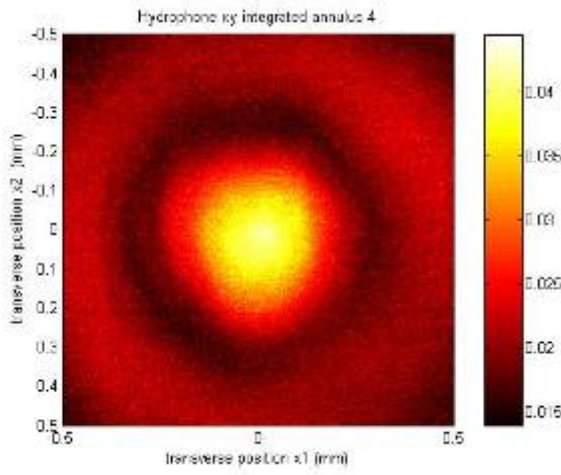


Reciprocity  
peak negative

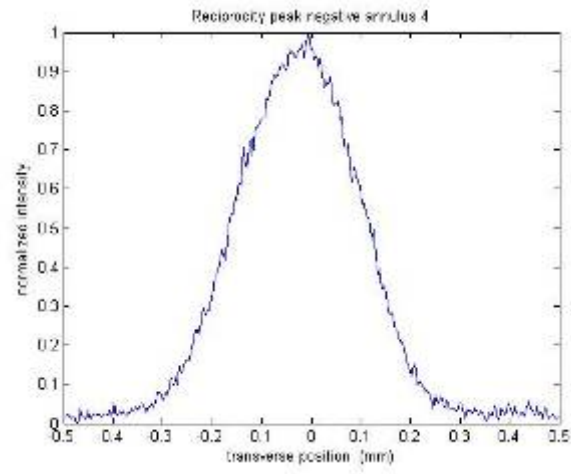
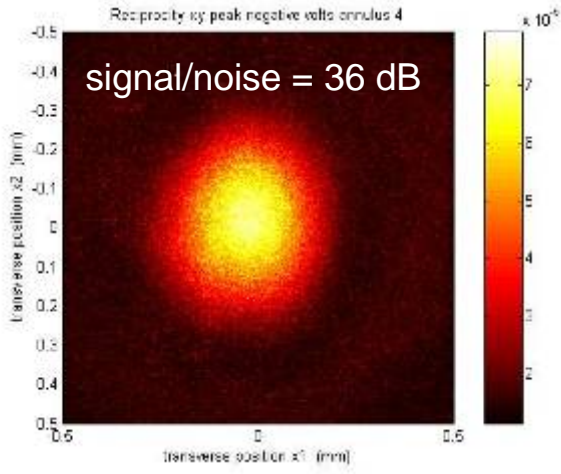


Annulus 4

Hydrophone  
peak negative

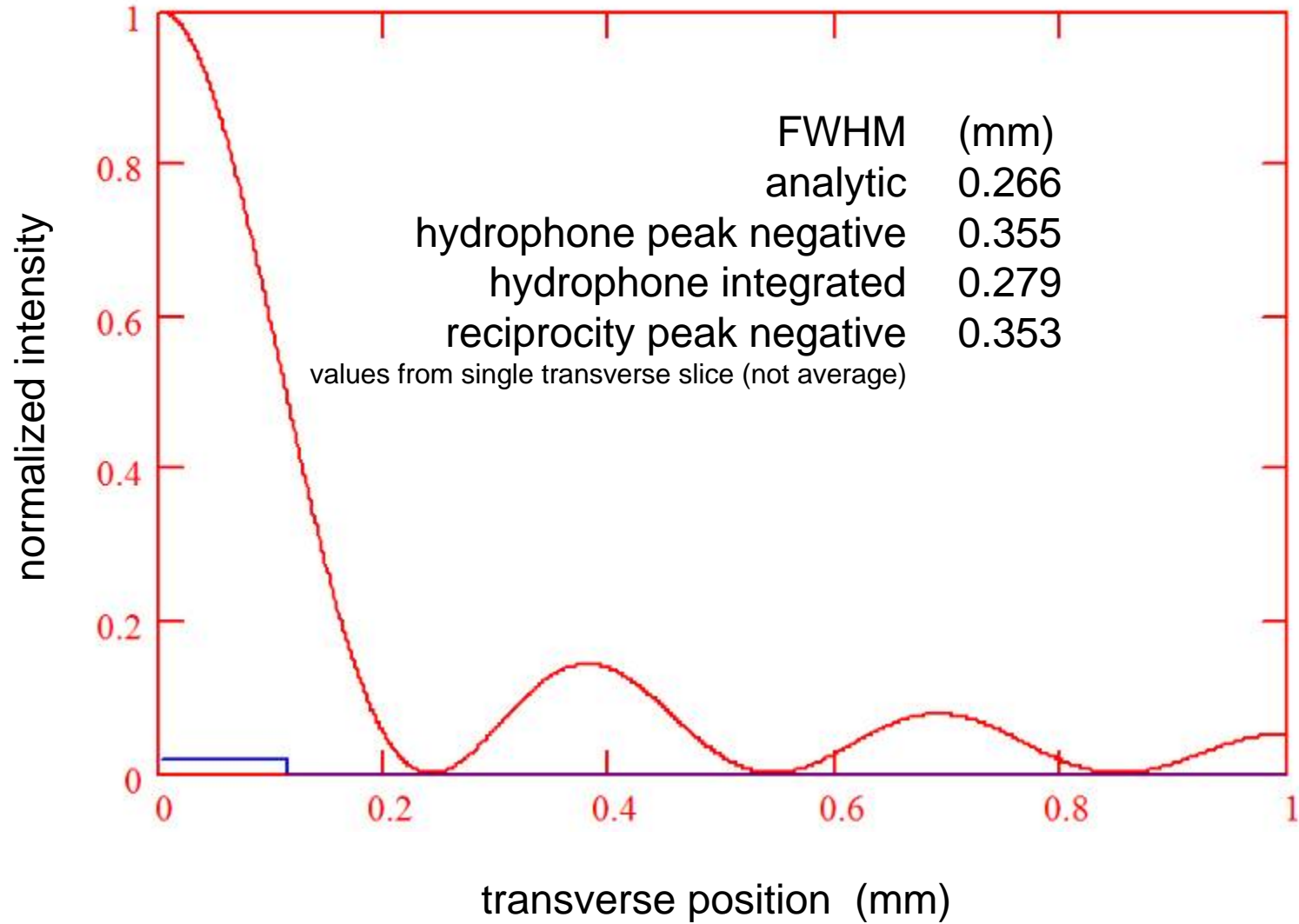


Hydrophone  
integrated

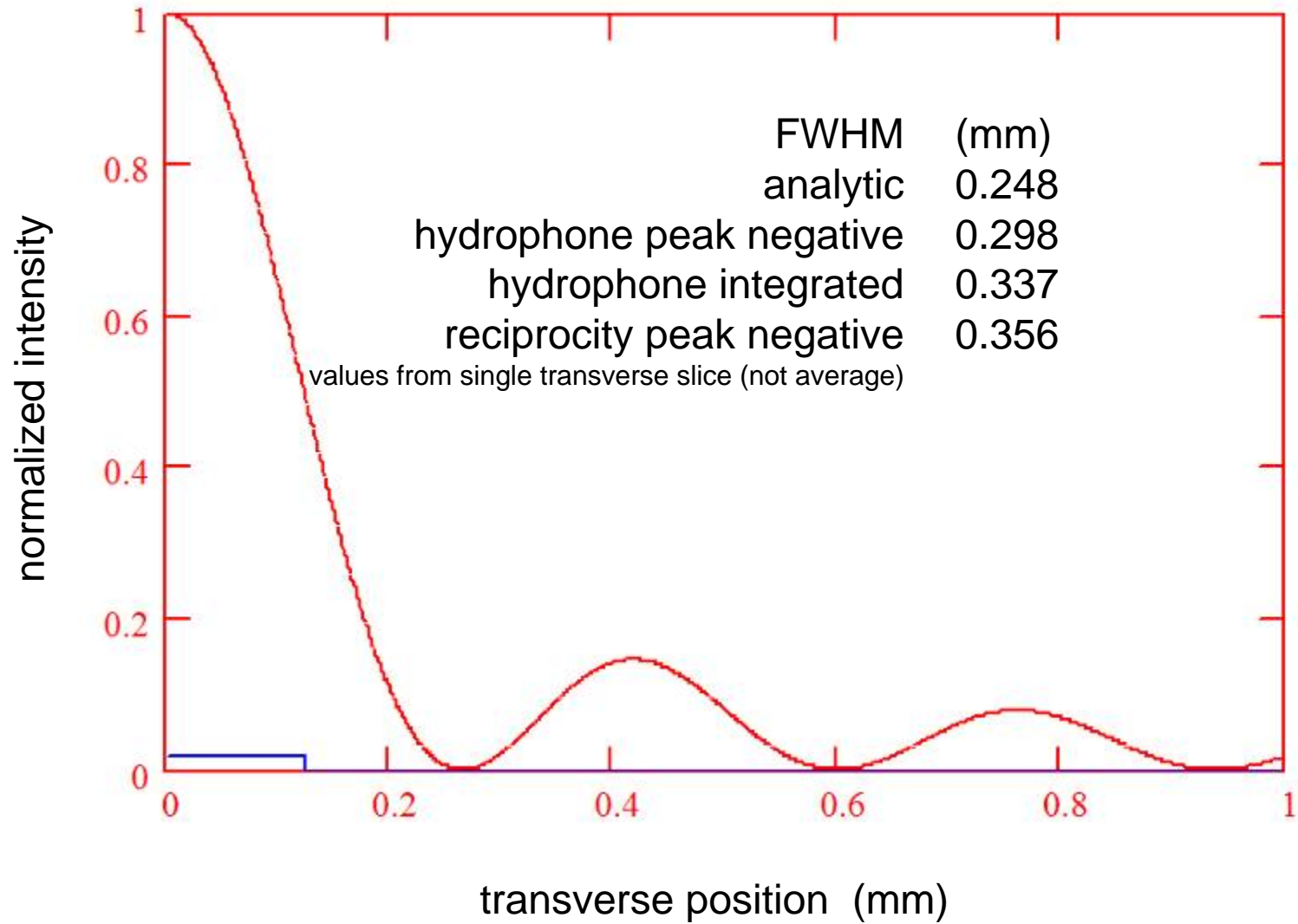


Reciprocity  
peak negative

# Analytic solution – annulus 5



# Analytic solution – annulus 4



## REFERENCES

### HNA-0400 Hydrophone

Howard SM, Zanelli CI. HIFU Transducer Characterization Using a Robust Needle Hydrophone. Proceedings of the 6th International Symposium on Therapeutic Ultrasound; [Forthcoming].

Zanelli CI, Howard SM. A Robust Hydrophone for HIFU Metrology. In: Clement GT, McDannold NJ, Hynynen K, editors. Therapeutic Ultrasound; 5th International Symposium on Therapeutic Ultrasound; Boston, Massachusetts 27 - 29 October 2005. Melville NY USA: American Institute of Physics; 2006. p. 618-622.

### Sonic Concepts Therapy Transducer

Muratore R, Lizzi FL, Lee P, Ramachandran S, Kalisz A. A HIFU system using annular and strip-electrode arrays with a digital diagnostic array system. In: Yuhas MP, editor. IEEE International Ultrasonics, Ferroelectrics, and Frequency Control Joint 50th Anniversary Conference, Montreal Canada, 2004 August 23-27. Piscataway NJ USA: Institute of Electrical and Electronics Engineers; 2005. p. 134-136.

### Reciprocity Technique

Dowling AP. Steady-State Radiation from Sources. In: Crocker MJ, editor. Handbook of Acoustics. New York NY USA: John Wiley & Sons, Inc.; 1998. p. 99-117.

### Analytic Solution

O'Neil HT. J Acoustical Society America. 1949;21:516-526.

### Further Information

<http://www.rri-usa.org/biomed.php?r=publications>